



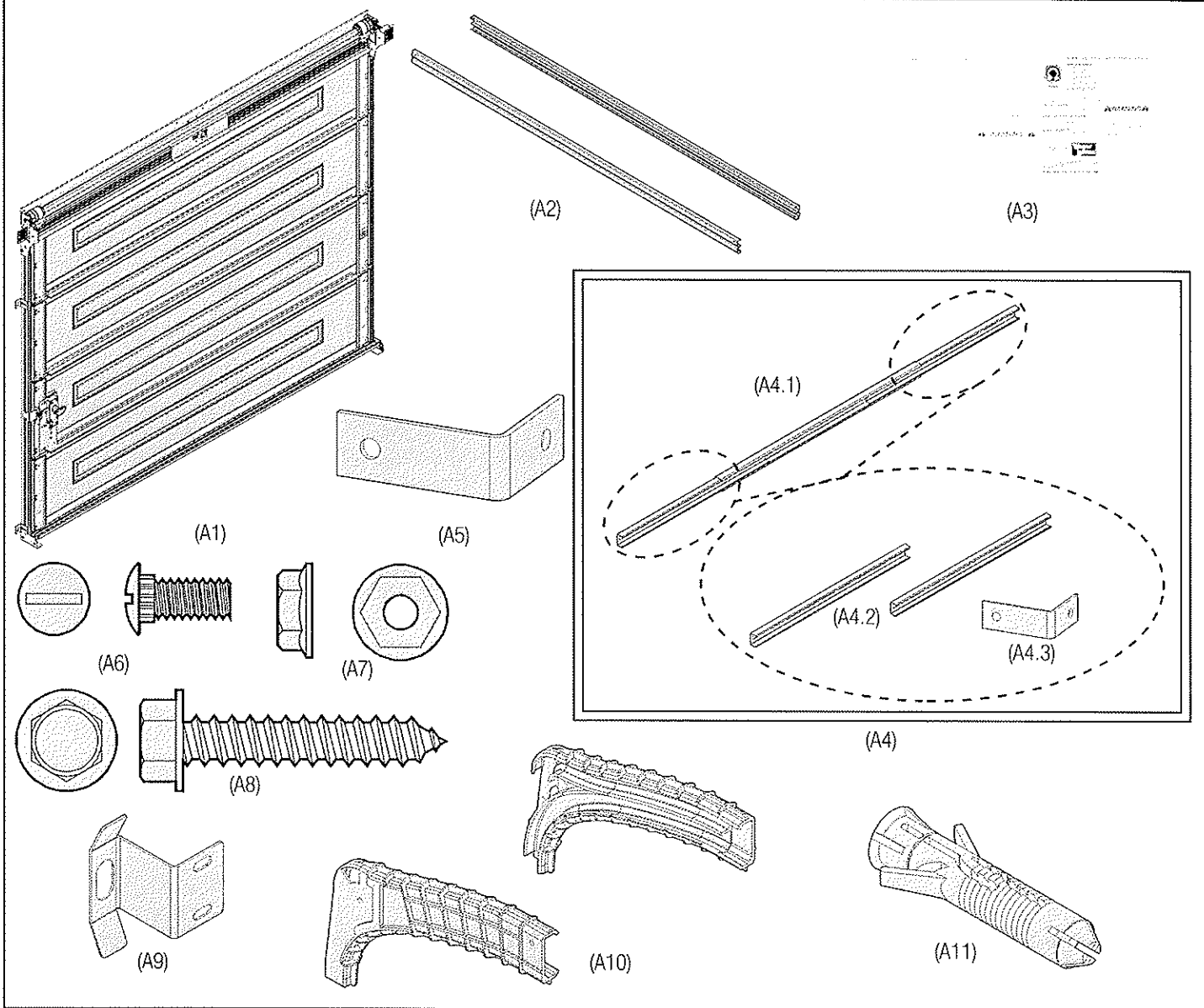
Drawings Manual of Installation, Use, and Maintenance Behind Jambs WITHOUT Integrated Operator

Models: Wayne-Dalton Optimal, Wayne-Dalton Confort,
Wayne-Dalton Diffusion, Wayne-Dalton Prestige+/40mm/Pinnacle

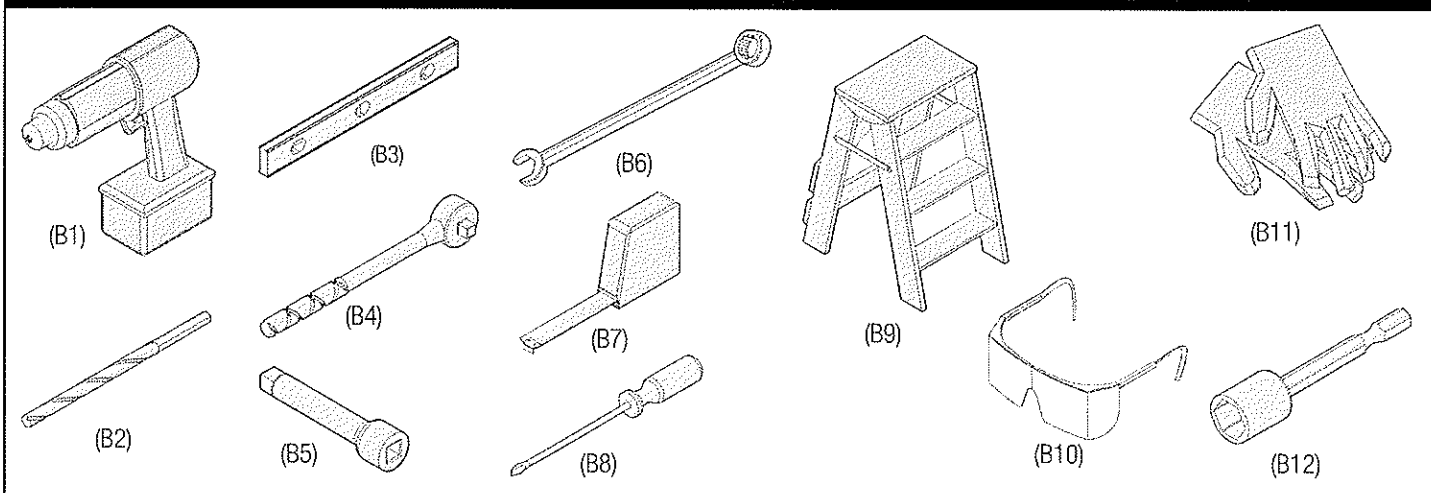
NOTE: THIS DRAWINGS MANUAL MUST BE ACCOMPANIED BY THE NOTES MANUAL: PN 324622.

F	Schémas d'installation, d'utilisation et d'entretien Porte prémontée - Pose en Applique – SANS moteur intégré Modèles: Wayne-Dalton Optimal, Wayne-Dalton Confort, Wayne-Dalton Diffusion, Wayne-Dalton Prestige+/40mm/Pinnacle	NOTE: CETTE NOTICE "DESSINS" DOIT ETRE ACCOMPAGNEE DE LA NOTICE "TEXTES": N° 324654.
N	Tegninger for installasjon, bruk og vedlikehold Behind Jambs WITHOUT Integrated Operator Modeller: Wayne-Dalton Optimal, Wayne-Dalton Confort, Wayne-Dalton Diffusion, Wayne-Dalton Prestige+/40mm/Pinnacle	NOTE: THIS DRAWINGS MANUAL MUST BE ACCOMPANIED BY THE NOTES MANUAL, PART #324655.
S	Figurer som visar montering, användning och underhåll Bakre karmar utan inbyggd motor Modeller: Wayne-Dalton Optimal, Wayne-Dalton Confort, Wayne-Dalton Diffusion, Wayne-Dalton Prestige+/40mm/Pinnacle	NOTERA: Illustrationer till monterings-, användnings- och underhållsmanualen måste medfölja dessa anteckningar rörande monterings-, användnings- och underhållsmanualen (del #324656).
DK	Tegninger om installation, anvendelse og vedligeholdelse Behind Jambs WITHOUT Integrated Operator Modeller: Wayne-Dalton Optimal, Wayne-Dalton Confort, Wayne-Dalton Diffusion, Wayne-Dalton Prestige+/40mm/Pinnacle	NOTE: THIS DRAWINGS MANUAL MUST BE ACCOMPANIED BY THE NOTES MANUAL, PART #324657.
FIN	Asennus-, käyttö-, ja huolto-oppaan kuvat Behind Jambs WITHOUT Integrated Operator Mallit: Wayne-Dalton Optimal, Wayne-Dalton Confort, Wayne-Dalton Diffusion, Wayne-Dalton Prestige+/40mm/Pinnacle	NOTE: THIS DRAWINGS MANUAL MUST BE ACCOMPANIED BY THE NOTES MANUAL, PART #324658.
E	Dibujos de instalación, uso y mantenimiento Puerta premontada – Montaje detrás de las paredes Modelos: Wayne-Dalton Optimal, Wayne-Dalton Confort, Wayne-Dalton Diffusion, Wayne-Dalton Prestige+/40mm/Pinnacle	NOTA: ESTE MANUAL DE DIBUJOS DEBE ACOMPAÑARSE DEL MANUAL DE NOTAS, CUYO CÓDIGO ES 324659.
HR	Nacrti za ugradnju, uporabu i održavanje Behind Jambs WITHOUT Integrated Operator Modeli: Wayne-Dalton Optimal, Wayne-Dalton Confort, Wayne-Dalton Diffusion, Wayne-Dalton Prestige+/40mm/Pinnacle	NOTE: THIS DRAWINGS MANUAL MUST BE ACCOMPANIED BY THE NOTES MANUAL, PART #324660.
P	Desenhos relativos à instalação, utilização e manutenção Atrás das ombreiras SEM operador integrado Modelos: Wayne-Dalton Optimal, Wayne-Dalton Confort, Wayne-Dalton Diffusion, Wayne-Dalton Prestige+/40mm/Pinnacle	NOTA: ESTE MANUAL DE DESENHOS DEVE SER ACOMPANHADO PELO MANUAL DE NOTAS, REF. N.º324661.
NL	Tekeningen voor installatie, gebruik en onderhoud Achter de stijlen ZONDER geïntegreerde aandrijving Models: Wayne-Dalton Optimal, Wayne-Dalton Confort, Wayne-Dalton Diffusion, Wayne-Dalton Prestige+/40mm/Pinnacle	OPMERKING: DIT AFBEELDINGENBOEK MOET VERGEZELD WORDEN DOOR DE HANDLEIDING MET INSTRUCTIES, ARTIKEL NR. 324662.
I	Disegni per l'installazione, l'uso e la manutenzione Porta premontata per posa dietro i montanti Modelli: Wayne-Dalton Optimal, Wayne-Dalton Confort, Wayne-Dalton Diffusion, Wayne-Dalton Prestige+/40mm/Pinnacle	NOTA: QUESTO MANUALE DEVE ESSERE ACCOMPAGNATO DAL MANUALE DEI DISEGNI, N° 324663.
D	Zeichnungen für Montage, Betrieb und Wartung Vormontiertes Tor, Montage hinter der Laibung, OHNE integrierten Antriebsmotor Modelle: Wayne-Dalton Optimal, Wayne-Dalton Confort, Wayne-Dalton Diffusion, Wayne-Dalton Prestige+/40mm/Pinnacle	ANMERKUNG: DIESER ANLEITUNG MIT DEN ZEICHNUNGEN MUSS DIE MONTAGEANLEITUNG BEILIEGEN, TEILE-NR. 324664.
PL	Rysunki urządzeń, użytkowanie i konserwacja Behind Jambs WITHOUT Integrated Operator Modele: Wayne-Dalton Optimal, Wayne-Dalton Confort, Wayne-Dalton Diffusion, Wayne-Dalton Prestige+/40mm/Pinnacle	NOTE: THIS DRAWINGS MANUAL MUST BE ACCOMPANIED BY THE NOTES MANUAL, PART #324665.

"A"



"B"



1

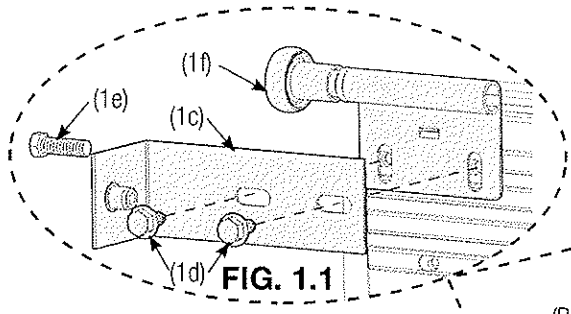


FIG. 1.1

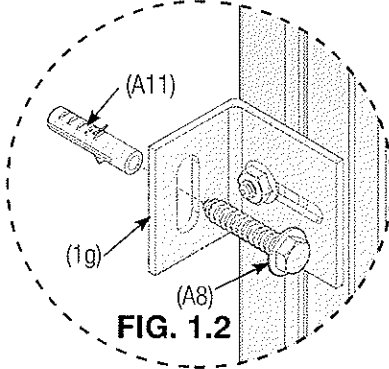


FIG. 1.2

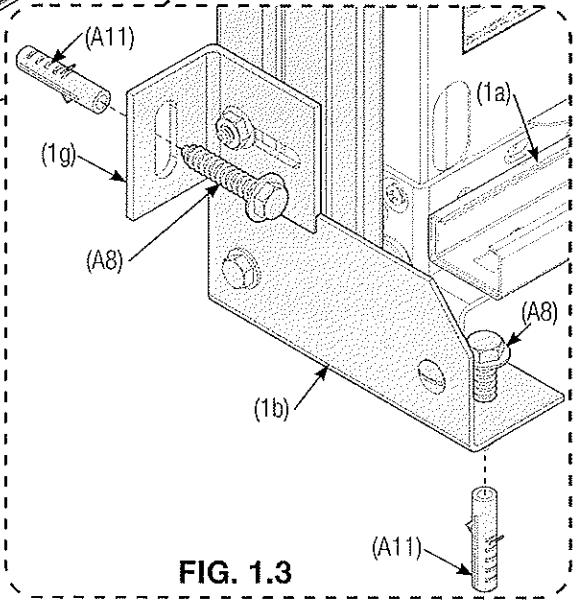
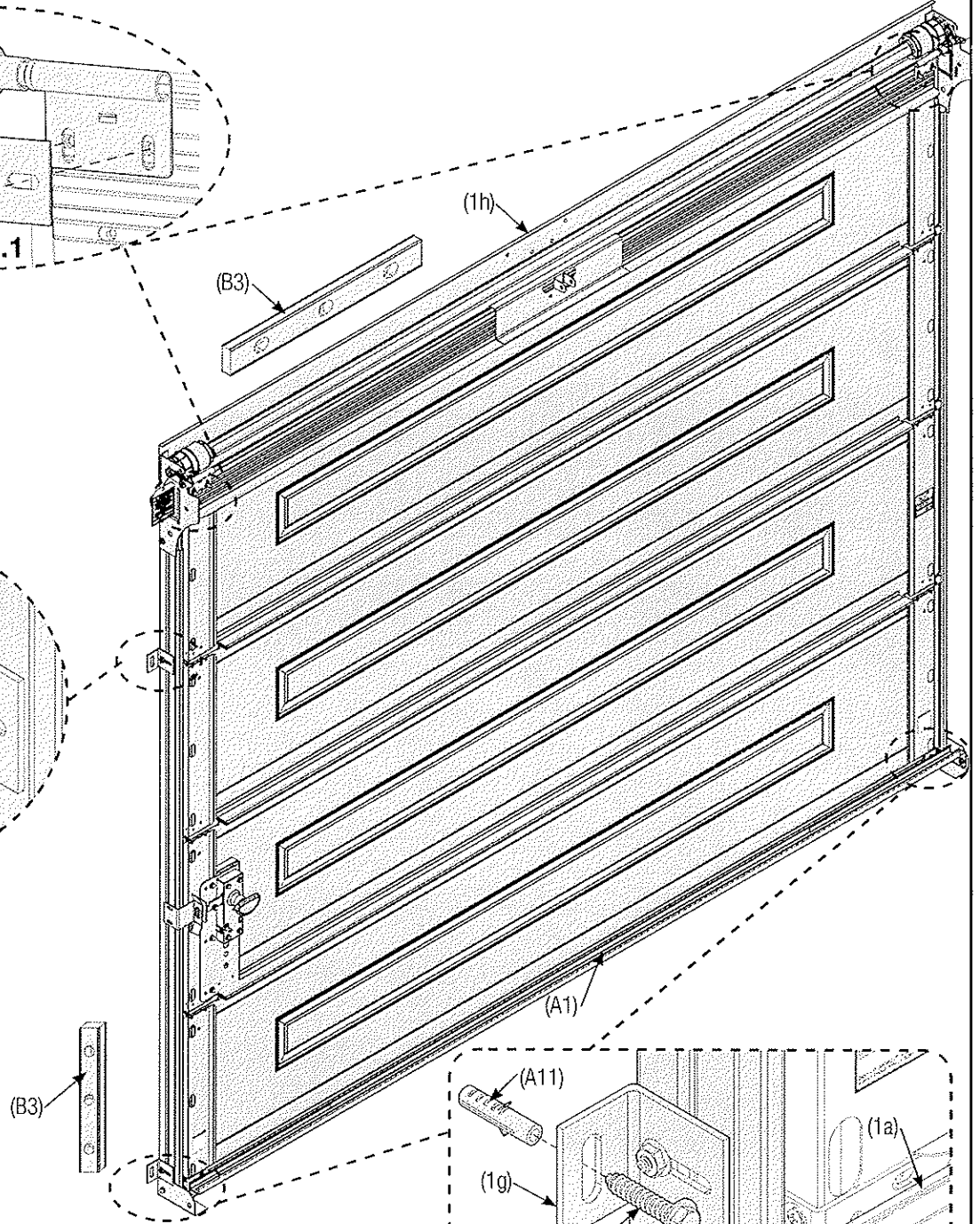


FIG. 1.3

2

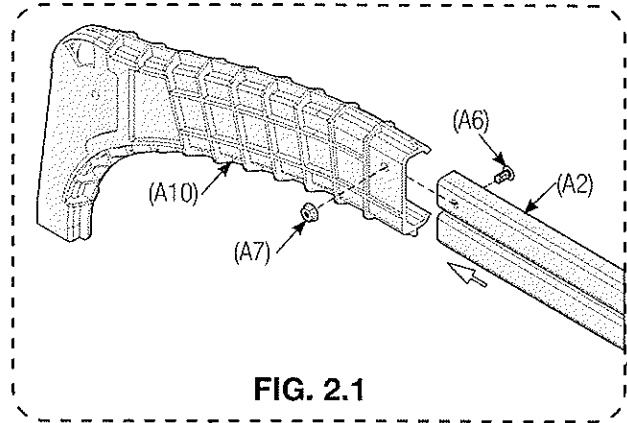


FIG. 2.1

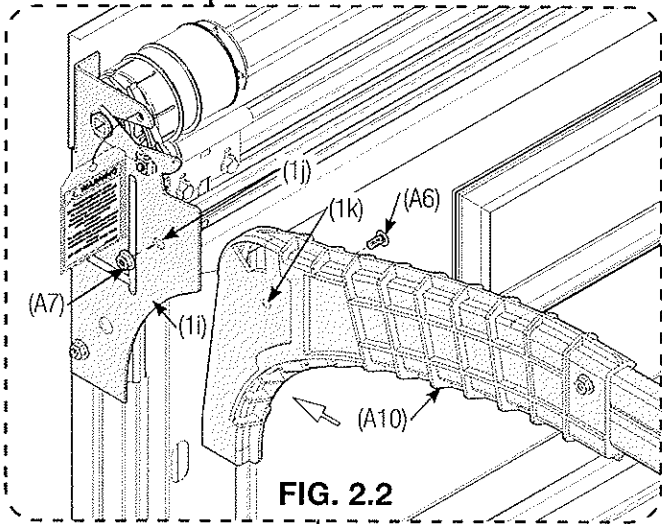


FIG. 2.2

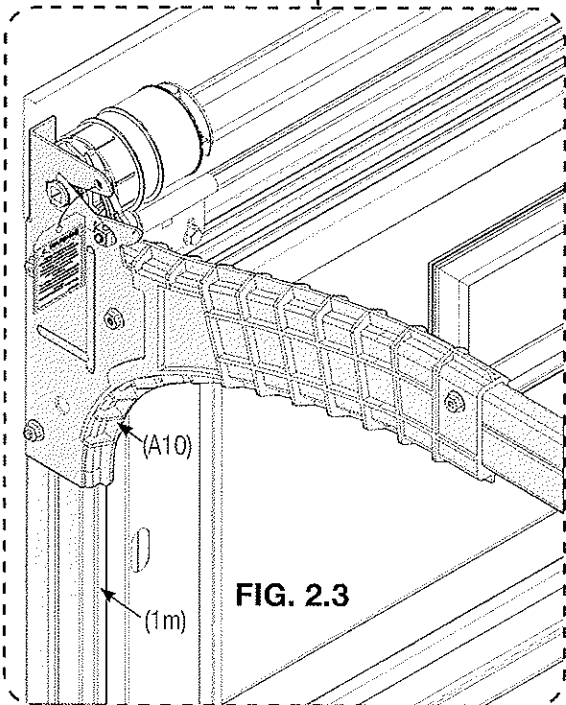


FIG. 2.3

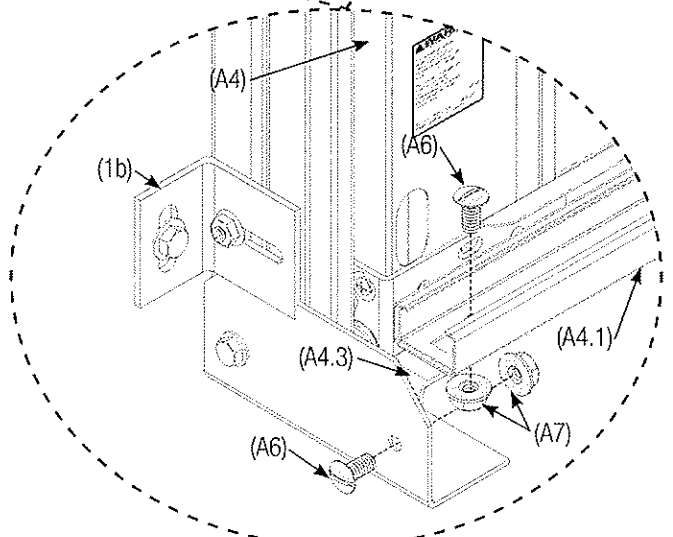
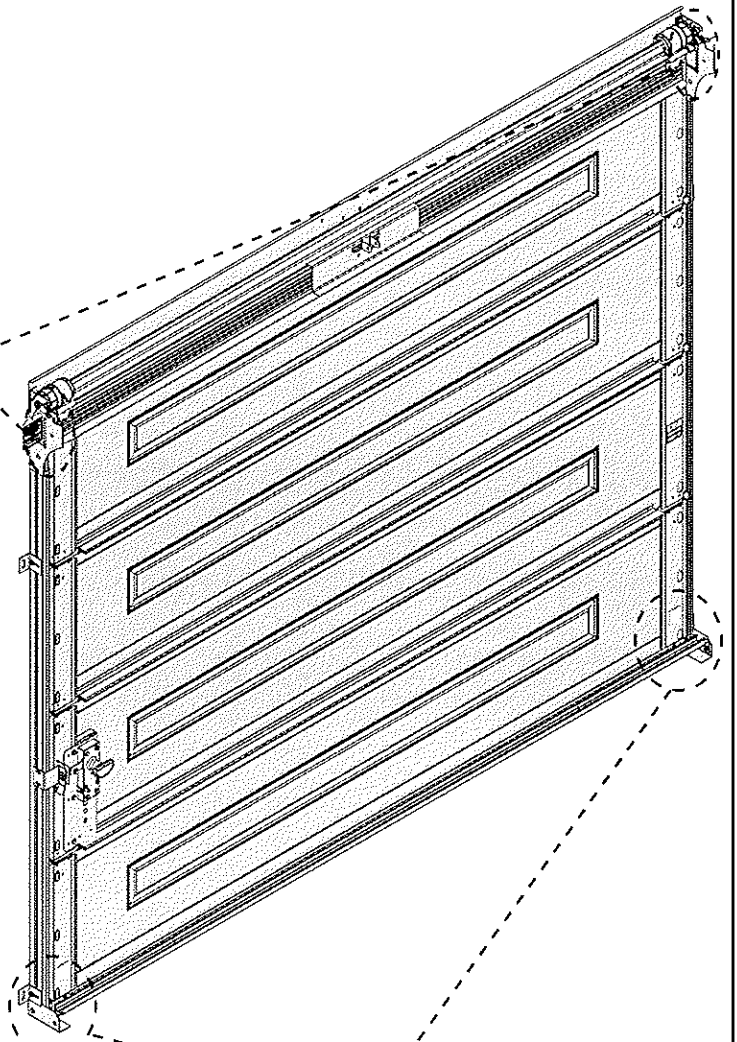


FIG. 2.4

3

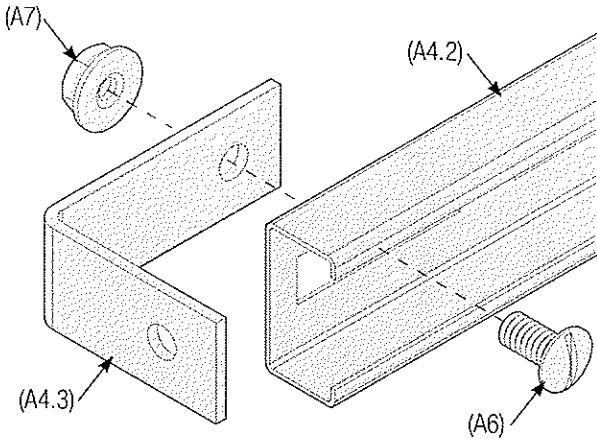


FIG. 3.1

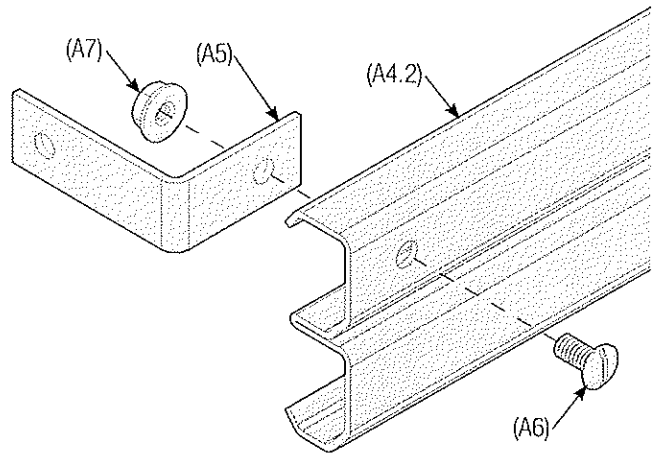


FIG. 3.2

4

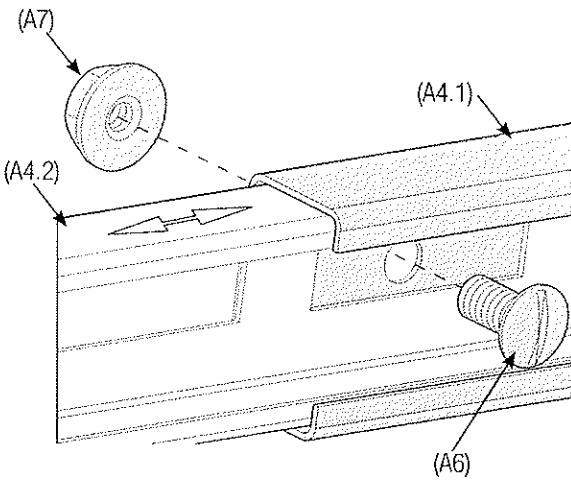


FIG. 4.1

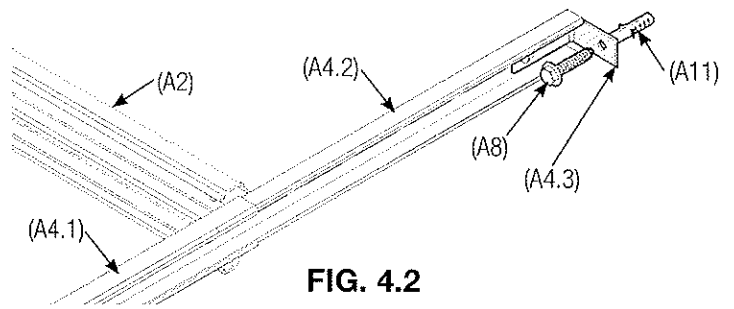


FIG. 4.2

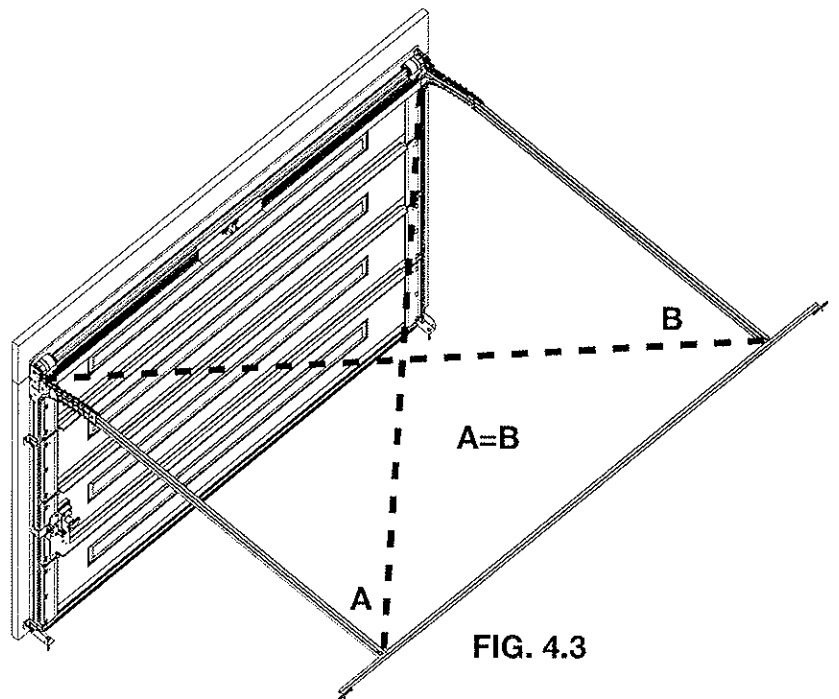


FIG. 4.3

5

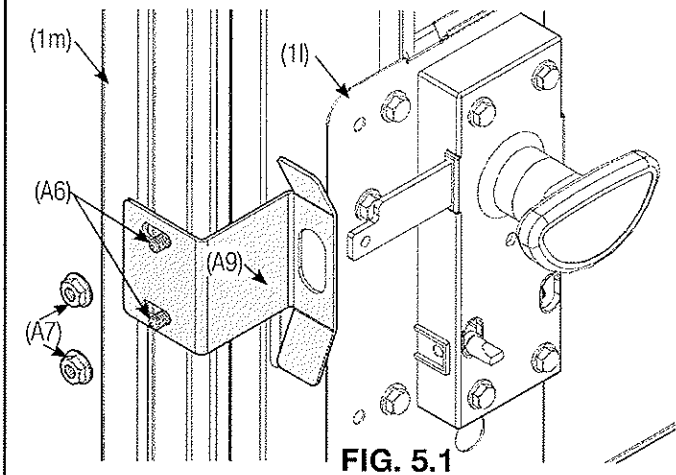


FIG. 5.1

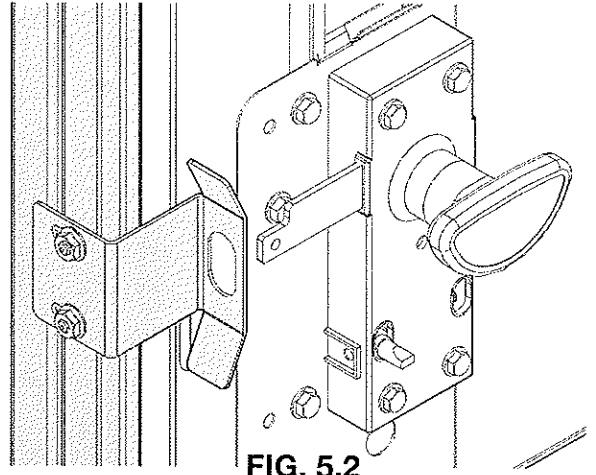
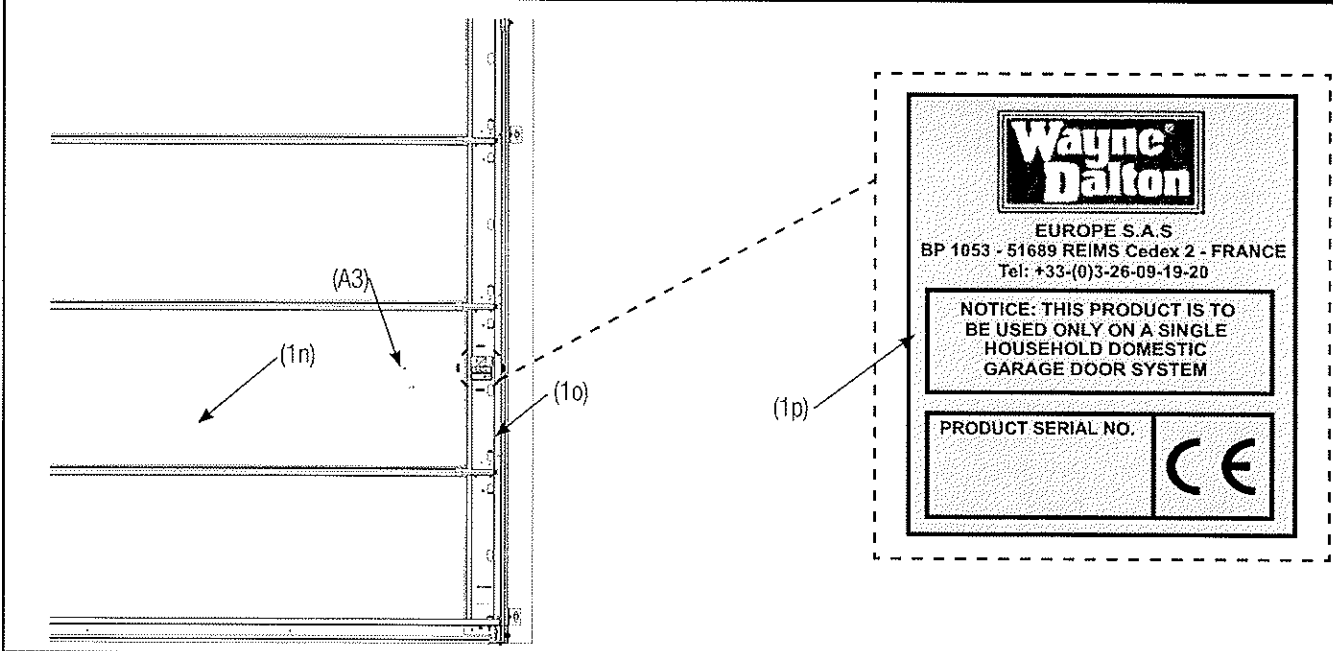


FIG. 5.2

6



7

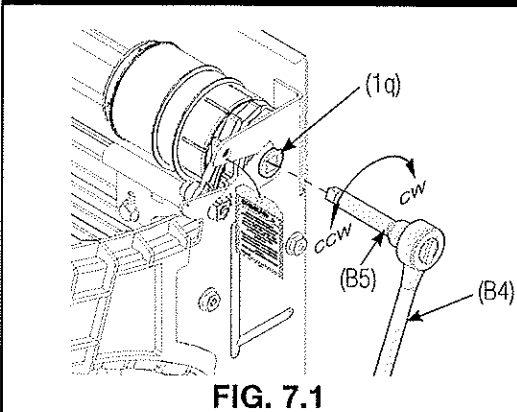


FIG. 7.1

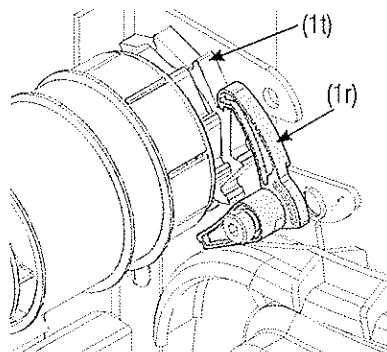


FIG. 7.2

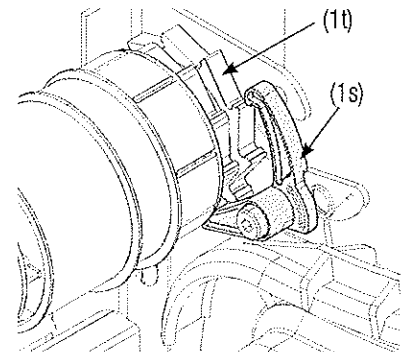


FIG. 7.3